

DOSING PUMPS

EDS Series - 1.5, 3, 6, 10, 21 LPH



SALIENT FEATURES

- ★ Compact and good aesthetics
- ★ Double Ball NRV
- ★ Built in Air release valve
- ★ Solid PTFE diaphragm for longer life
- ★ Time tested electronics for reliable performance
- ★ Adjustable Stroke frequency

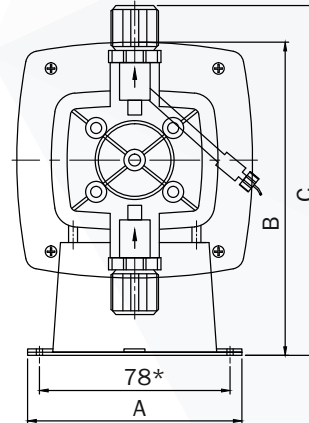
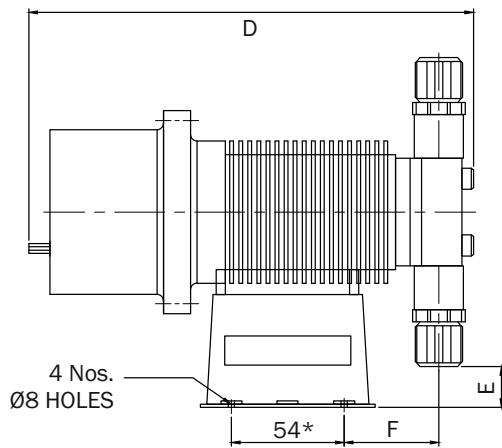
TECHNICAL SPECIFICATIONS

| | |
|---------------------------|-------------------------------------|
| Power Supply | 230 V AC 50hz |
| Liquid End | Glass filled Polypropylene |
| Valve Ball | Pyrex |
| Seals | Viton |
| Diaphragm | Solid PTFE diaphragm |
| Suction / Delivery Tubing | 4/6 mm LDPE tubing(3metres length) |
| Stroke Frequency | 400 stokes per minute Maximum |

MODEL SELECTION CHART

| Model | Capacity | Max. Injection Pressure |
|---------|----------|-------------------------|
| EDS 1.5 | 1.5 lph | 4 Kg/cm ² |
| EDS 3 | 3 lph | 4 Kg/cm ² |
| EDS 6 | 6 lph | 4 Kg/cm ² |
| EDS 10 | 10 lph | 4 Kg/cm ² |
| EDSA | 21 lph | Open to Atmosphere |

DIMENSIONS



| | |
|---|------|
| A | 94.5 |
| B | 160 |
| C | 201 |
| D | 180 |
| E | 28 |
| F | 78 |

INJECTION CHECK VALVE



The injection check valve is a spring loaded non-return valve which prevents the water in the pressurized pipeline from returning back.

FOOT VALVE



The foot valve is a non-return valve with a strainer to ensure that any dirt particles in the chemical being dosed is filtered before entering the pump.

* Optional valve seats in Teflon and balls in ceramic also supplied on request

UKL Instruments Pvt. Ltd.

📍 232, 7th Street, Ashtalakshmi Nagar, Alapakkam, Chennai - 600 116.

☎ 044 - 24764532 📞 +91 98411 27656

✉ shreeram@uklindia.in

🌐 www.uklindia.com

